

Model P61 • Capacitance Probe, Sanitary Service

Features

- ✓ Natural PVDF or polypropylene comes in contact with process fluids
- 🔧 Simple open construction is easily cleaned manually in place, or by steam
- ✦ General purpose sanitary applications
- 👍 Suitable for pharmaceutical, dairies and food processing, cosmetic and printing services
- 🌊 Suitable for use with most slurry and entrained solids applications
- 🛡️ 316 Stainless Steel backed tri-clamp flange
- 🔧 Metal clamps hold full pressure seal
- ⚡ Works with conductive and nonconductive liquids

Description

The Delta Controls **Model P61** Capacitance Probe is designed for sanitary or nonmetallic ion service which require **superior cleanliness** and **high reliability**. The wetted surfaces are composed entirely of virgin, **natural PVDF**. The surfaces are welded together into a single piece without joints, crevices, or cracks.

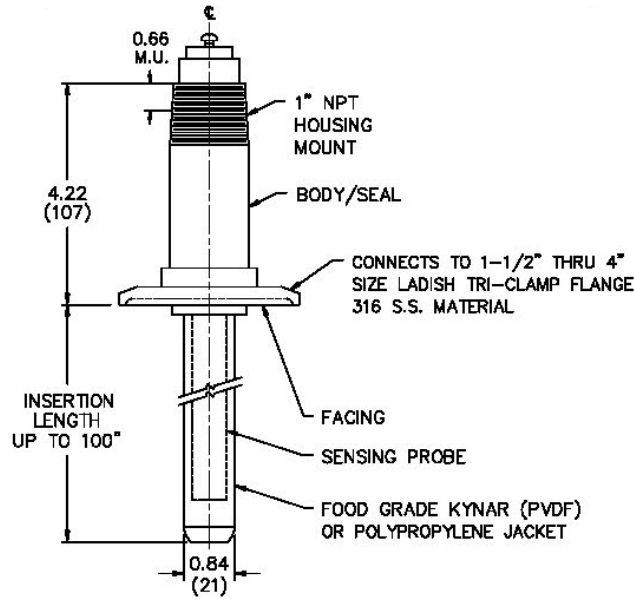
The P61 finished unit is flame-polished for the utmost **smoothness** and **cleanability**. The plastic flange facing has a 316 Stainless Steel backing plate for increased **strength and reliability**. The basic sanitary flange mates with a tri-clamp tubing size flange.



Model P61

Specifications

Working Pressure:	≤ +500 psig (34.5 bar)
Working Temperature:	-40 °F to +300 °F (-40 °C to +149 °C)
Insertion Length:	≤ 8 ft (3.5 m)
Process Connection:	1.5 in Tri-clamp minimum
Tri-clamp Process Connection:	1.5 in to 3.0 in Tri-clamp
Available Wetted Materials:	Kynar® PVDF, polypropylene (other materials available)



Model Numbering System

MODEL EXAMPLE	MODEL	-	INSERTION LENGTH	-	PROCESS CONNECTION	-	OPTIONS ¹
	P61K	-	***	-	1.5"TCY	-	AA
MODEL	DESCRIPTION						
P61K	Capacitance Probe, Sanitary Service, Kynar®						
P61P	Capacitance Probe, Sanitary Service, Polypropylene						
INSERTION LENGTH	DESCRIPTION						
***	*** in of insertion (96 in max)						
PROCESS CONNECTION	DESCRIPTION						
	Refer to 120 for M/N						
	Tri-clamp sizes 1.5 in minimum						
OPTIONS¹	DESCRIPTION						
AA	None						
PH4	Probe head housing with terminals for use with remote mounted electronics unit, 4X housing						
PH7	Probe head housing with terminals for use with remote mounted electronics unit, 7X housing						

Notes:

¹ A hyphen will separate multiple options selected

REQUIRED ORDERING INFORMATION:

- Detailed model number
- Tag or nameplate detail (if required)
- Documentation & testing packages (if required, refer to Additional Resources)

APPLICATION DETAILS:

- Process fluid or material name*
- Process fluid or material dielectric constant
- Maximum process temperature
- Maximum process pressure

*Upper and lower materials required for interface service