

IPT INSTALLATION DETAILS

Name: _____
 Phone: _____
 Email: _____

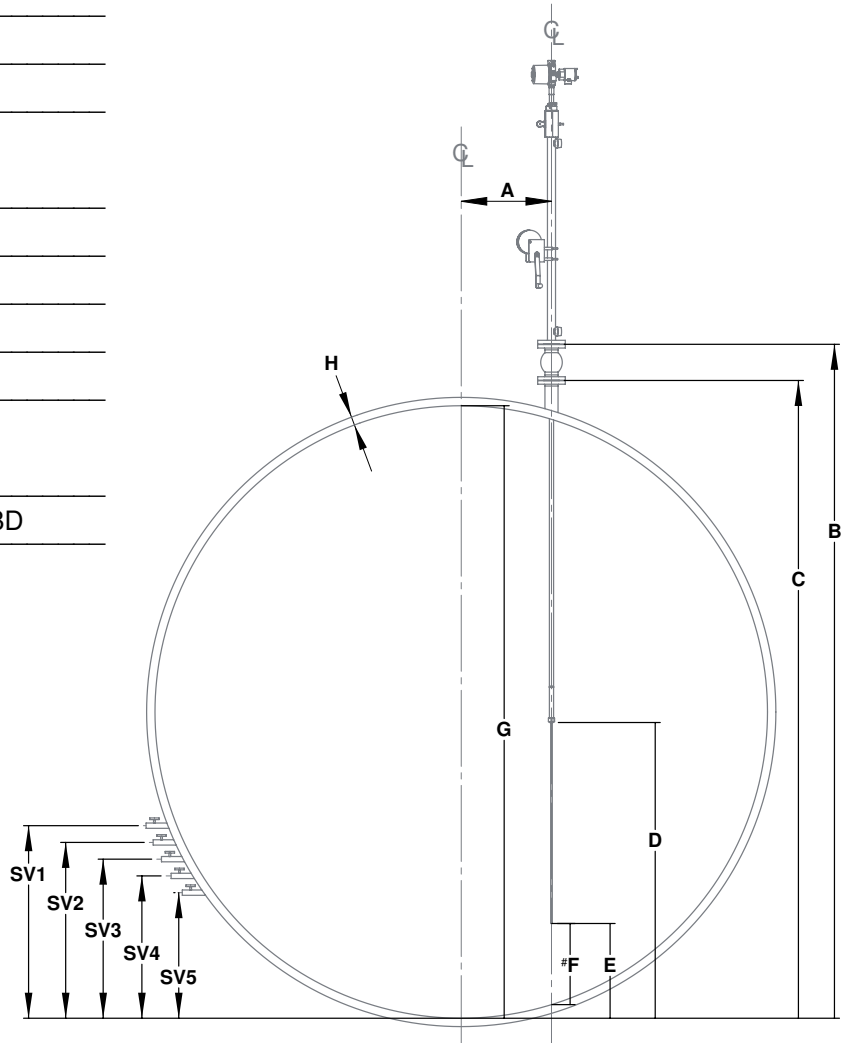
Account: _____
 Tag No.: _____
 Project No.: _____

Process Operating Temperature: _____
 Process Operating Pressure: _____
 Process Connection Size: _____
 Process Connection Class: _____

A) Nozzle Offset from Centerline*: _____
 B) Isolation Valve Height†: _____
 C) Nozzle Projection Height††: _____
 G) Vessel Inside Diameter††: _____
 H) Shell Thickness*: _____

Valve Face to Face (B-C)†: _____
 Sensing Probe Length (D-E)†‡: TBD

SV 1‡§: _____
 SV 2†: _____
 SV 3†: _____
 SV 4†: _____
 SV 5†: _____
 SV 6†: _____
 SV 7†: _____
 SV 8†: _____
 SV 9†: _____
 Last SV†§: _____



*Required information
 †From common datum line (bottom internal vessel face).
 ‡D refers to height from common datum line;
 E refers to probe tip height from common datum line.
 §Sample Valve (SV); first and last SV heights required.
 #F refers to height from vessel wall to probe tip.