

SANITARY PRESSURE/LEVEL TRANSMITTER MODEL 572 WITH MODULAR ELECTRONICS

FEATURES

- Two Wire Loop Powered 4-20 mADC Signal
- Fits Ladish, APC, And Other Sanitary Flanges
- Great For Ultraclean Water Service
- Suitable For CIP/SIP Service
- Removable Electronic Module
- Polished Body Is Basic, Polished Housing Optional
- Zero & Span Pots For Field Recalibration
- Spark & Power Surge Protection
- Optional Dampening
- Optional LCD Display
- Maintenance Free Operation

TYPICAL APPLICATIONS

Ultraclean Water	Fruit Juice
Fermentation Tanks	Vegetable Oil
Milk Processing	Beer, Wine, Spirits
Candy Making	Pharmaceutical Reactors

DESCRIPTION

The Model 572 Level and Pressure Transmitter was designed specifically for food, pharmaceutical and ultraclean applications.

The 572 consists of a potted electronic module in a housing which is mounted with a modular pressure sensor as a packaged assembly. The wetted sensor is constructed of 316 S.S. The body is polished and free from crevices, cracks, and voids that can harbor contaminants. The back of the sensor is usually vented to atmosphere to compensate for barometric pressure changes.

Cleaning of the Model 572 can easily be accomplished by disassembly and manual washing, or it can be cleaned and sterilized in place.

The Model 572 can also be used as a liquid level transmitter in vented tanks. The pressure at the bottom of a vented tank containing liquid is linearly proportional to the height and density of the liquid. Use the TPC Pressure Corrector when the tank is pressurized.



SPECIFICATIONS

Technology: Silicon strain gage
Supply Power: 13 to 35 VDC 2 wire loop powered
Output Signal: 4-20 mADC, isolated
Loop Impedance: 550Ω at 24 VDC, 1100Ω at 35 VDC
Adjustments: Span from 30% to 100% of range.
 Zero to 30% is basic, non-interactive.
Over Pressure: 2X Range (35 PSI) w/o damage
 3X Range (1000 PSI) w/o rupture
Temperature Range: -20 to +220°F (Operating)
 -40 to +275°F (Intermittent)
 30 to +130°F (Compensated)
Accuracy: ±0.25% F.S. or better
Thermal Error: ±0.02% F.S./°F maximum
Barometric Effect: None

OPTIONAL FEATURES

Dampening: Selectable 0.1 to 22 seconds
Indicator: Large direct reading LCD
Alarm Points*: 1 or 2, 5 Amp SPDT Contacts
Power Supply*: Integral VAC to 24 VDC
TPC Corrector: Level measurement in unvented and pressurized tanks

MODEL NUMBERING SYSTEM

BASIC TYPE	RANGE & SENSOR	HOUSING & RATING	PROCESS CONNECTION	OPTIONS
------------	----------------	------------------	--------------------	---------

MODEL NO.: 572Y - G8Y - 4XI - 1"TCY - 328

+ + + + =

BASIC TYPE	
M/N	BODY MATERIAL
572Y	TRANSMITTER

RANGE & SENSOR		
M/N	FULL SCALE RANGES	
	U.S.A.	METRIC
G4Y	15.0 PSIG	1.0 BAR-G
G5Y	30.0 PSIG	2.0 BAR-G
G6 Y	60.0 PSIG	4.0 BAR-G
G7Y	120.0 PSIG	8.0 BAR-G
G8Y	250.0 PSIG	15.0 BAR-G
G9Y	500.0 PSIG	40.0 BAR-G
G10Y	1000.0 PSIG	UP TO 206 BAR-G
G11Y	2000.0 PGIG	BAR-G
A4Y	15 PSIA	1.0 BAR-A
A5Y	30 PSIA	2.0 BAR-A
A6Y	60 PSIA	4.0 BAR-A
A7Y	120 PSIA	8.0 BAR-A
V8Y	0/-15 PSIV	0/-1 BAR-V
V9Y	-15/+15 PSIV	-1/+1 BAR-V
V10Y	-15/+30 PSIV	-1/+2 BAR-V
V11Y	-15/+60 PSIV	-1/+4 BAR-V
V12Y	-15/+120 PSIV	-1/+8 BAR-V

HOUSING & RATING	
M/N	DESCRIPTION (ALL 4X)
4XI	ENVIRONMENT PROOF; 4X; PVC CONSTRUCTION; WHITE EPOXY OVERLAY; S.S. TRIM;
7WI	EXPLOSION PROOF; CLASSES 1 & 2; DIVISIONS 1 & 2; GROUPS BCD, EFG; ALUMINUM CONSTRUCTION; 4X; WHITE EPOXY OVERLAY
7TI	EXPROOF, SAME AS ABOVE EXCEPT ALL 300 S.S. CONSTRUCTION

PROCESS CONNECTION	
M/N *	LIMITED TO
1" TCY	G4 AND HIGHER
1-1/2" TCY	PSIG RANGES
2" TCY	ALL RANGES

* TUBING SIZE FLANGES; OTHER SIZES AVAILABLE, C/F.

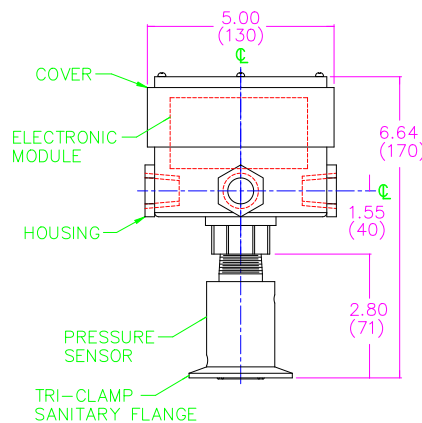
PROCESS CONNECTION MATERIAL: 316-L S.S., LADISH "TRI-CLAMP" SANITARY FLANGE IS BASIC; ACME NUT, APC, CHERRY-BURREL, AND OTHERS ARE AVAILABLE, C/F.

* G RANGES ABOVE 500 PSI

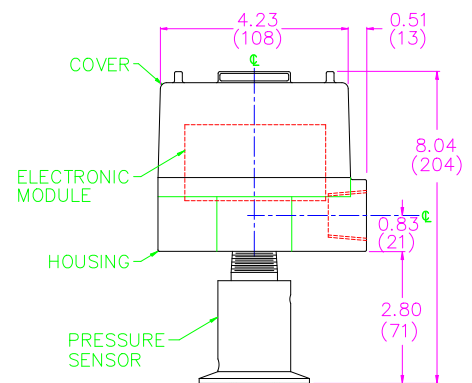
RANGE REFERENCE TO:
 "G" = ATMOSPHERIC PRESSURE
 "A" = HARD VACUUM
 "V" = BELOW ATMOSPHERE

OPTIONS		
M/N	DESCRIPTION	
AA	NONE	
328	DIRECT READING	4XI
	LARGE LCD DISPLAY	7WI
		7TI
PSM	2" PIPE STAND HOUSING MOUNTING BRACKET (ALSO REQUIRED TO SURFACE MOUNT 7W & 7T HOUSING)	
TC	MADC SIGNAL DAMPENING, SELECT 0.1 TO 22 SECONDS	
TPC	TANK PRESSURE CORRECTOR, SELECT FROM TPC PRICE LIST AND ADD TO PRICE OF THIS TRANSMITTER	
RC	20-4 mADC OUTPUT SIGNAL	
SU	SUPPRESS ZERO TO 80%	
ZZ	OTHER CONFIGURATIONS	

Made in USA by
Delta Controls Corp



Model 572 With 4X PVC Housing



Model 572 With Exproof Housing



**Engineered
Reliability**

585 Fortson Street
 Shreveport, La. 71107 - USA
 P: +1(318) 424-8471
 F: +1(318) 425-2421
 sales@deltacnt.com
 www.deltacnt.com