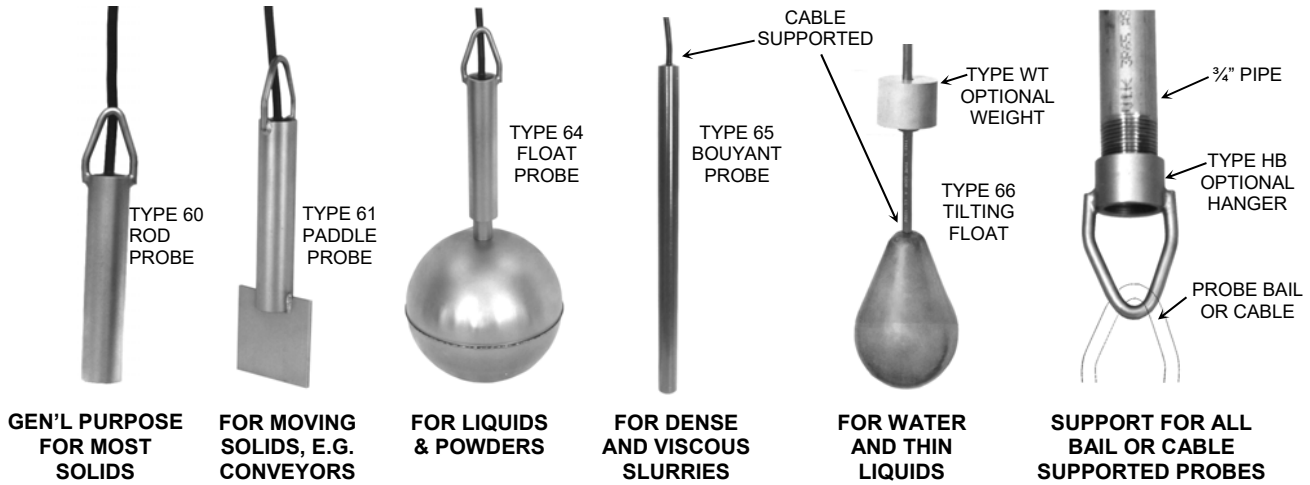


PROBES FOR USE WITH MODEL 835 TILT SWITCH

DETECT LEVEL OF SOLIDS FROM POWDER TO LUMPS
DETECT LEVEL OF LIQUID & SLURRIES FROM WATER TO ACIDS

SERIES 60 TILTING PROBES



PROBE APPLICATIONS

Rod type probes are typically the best choice for lump, granulated, or powdered solids. The Type 60 is the best choice for most level detecting jobs. A Type 64 is usually required when the density is low or the material is an aerated powder. A type 61 paddle end probe is a good choice for most moving material detection needs. The large sensing area provides high sensitivity and is less affected by voids. Stainless steel bail material is basic and is suitable for most services. Use all stainless probes when the area is wet or corrosive. Polished all stainless is required for 3A sanitary services.

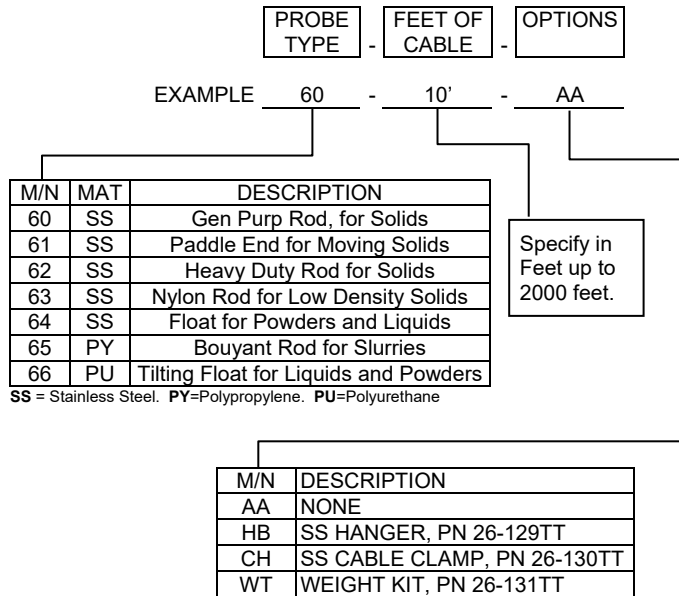
Slurries and liquids vary from extremely heavy and viscous to thin and watery. The Type 65 works well on heavy slurries. The Type 64 and 66 are normally needed when the material is a clean liquid or is a liquid with entrained solids. Types 65 and 66 are cable suspended and do not have bails. They can be cable suspended if the surface is calm and still. The type HB hanger kit and support pipe should be added if ripples, roiling, or surface choppiness are present.

MADE IN THE USA BY
DELTA CONTROLS

SPECIFICATIONS

- Tilt Sensor:** Liquid drop inside a welded steel chamber; has a second safety seal; 1 Amp rating
- Tilt Angle Sensed:** 15 ° away from vertical in any direction, no additional action occurs during a global tilting of the probe.
- Temperature Limits:** -40°F to 220 °F
- Wetted Materials:** Stainless Steel, nylon, PVC, PVDF (Kynar®), and exotic metals
- Probe Cable:** Oil resistant rubber insulation and jacket, flexible 41x34 stranded copper, 18 gage

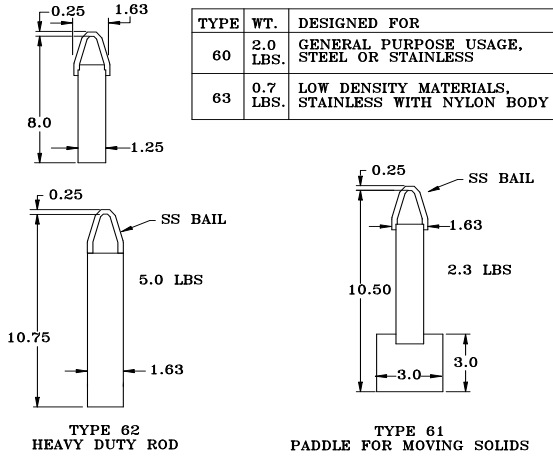
MODEL NUMBERING SYSTEM



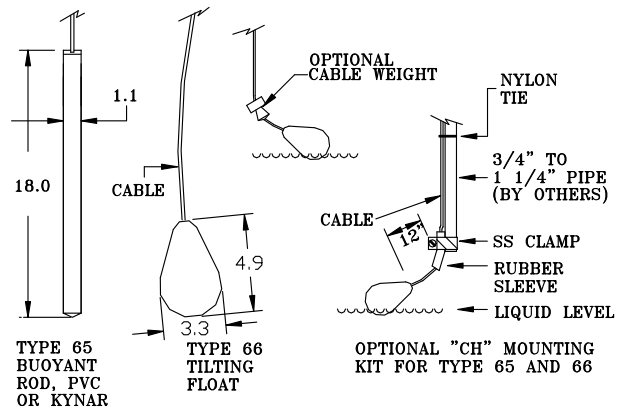
Delta Controls
CORPORATION

SERIES 60 TILTING PROBE SENSORS

ROD PROBES FOR SOLIDS

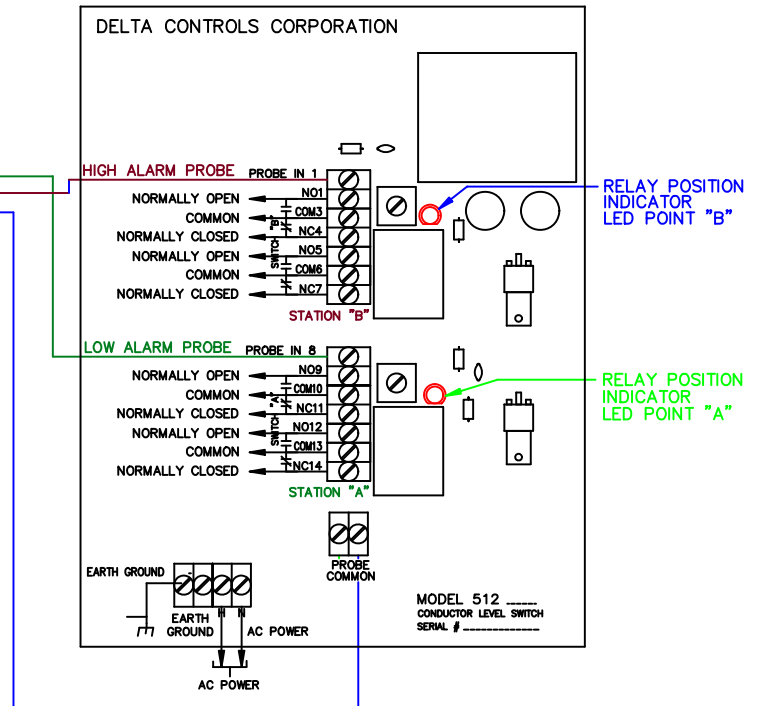
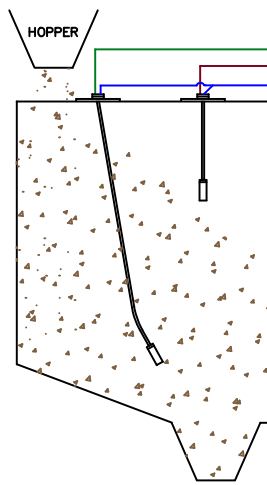
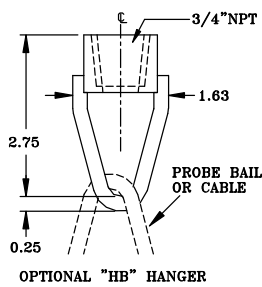
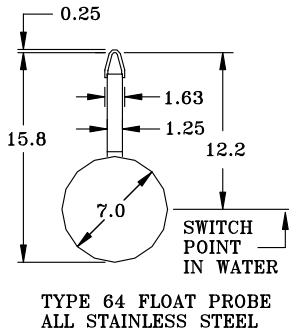


FLOAT PROBES FOR LIQUIDS



INTERCONNECTION WIRING DIAGRAM

Each relay station may use one or two probes and be wired to be an alarm point or an on/off differential controller point.



SHOWN: STATION "A" WIRED AS LOW LEVEL POINT ALARM
STATION "B" WIRED AS HIGH LEVEL ALARM



Engineered Reliability

585 Fortson Street
Shreveport, La. 71107 - USA
P: +1(318) 424-8471
F: +1(318) 425-2421
sales@deltacnt.com
www.deltacnt.com

SERIES 60 TILTING PROBE SENSORS