

FLOAT TYPE LEVEL SWITCH - SIDE INSERTED ONE ALARM POINT

Model 740A

Model 740D

MODEL 740A – 2 POINT ALARM

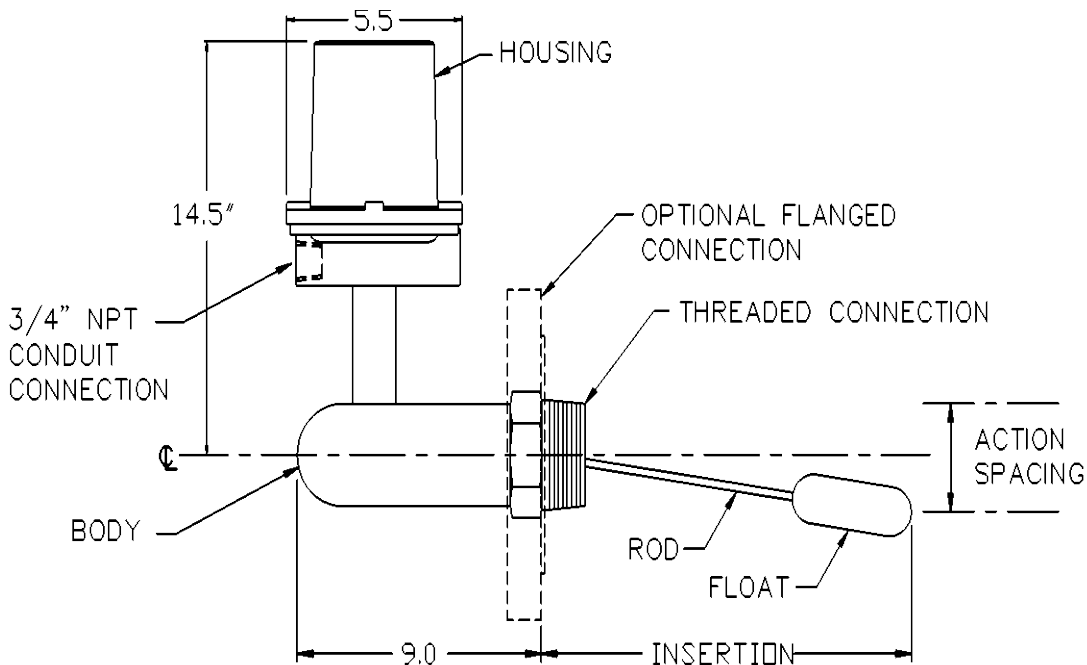
The Model 740A is used when the application requires more than a single alarm point provided by the Model 735. The 740A has a longer stroke and can provide two separate alarm points with up to 8" spacing between them. The spacing between the switch points is controlled by the length of the float insertion and the differential adjustment setting.

MODEL 740D – 1 STATION, ADJUSTABLE DIFFERENTIAL CONTROL

The Model 740D uses the same mechanism and float as the 740A. The difference is that an adjustable differential device has been added and only a single switch station is utilized. The float moves down as the liquid level drops. This causes the attractor to be moved into the field of the switch station magnet; the magnet is pulled against the sealing tube and the switch is actuated. The switch stays activated until the liquid level rises significantly (an adjustable amount). The attractor is then pulled out of the field of the switch magnet and the switch deactivates.

The amount of differential is controlled by the length of the float insertion and the setting of the differential device; up to 16" differential is possible.

Typical applications include "Low" alarm and "Low-Low" shutdown for pump protection; Control of a pump in a catch tank; and similar services.



DELTA CONTROLS
CORPORATION

BASIC TYPE - **SENSING FLOAT** - **INSERTION DISTANCE** - **PROCESS CONNECTION** - **SWITCH AND HOUSING** - **OPTIONS**

MODEL
EXAMPLE: 740A - T - 12" - 3"NPTS - S2W - AA

BASIC TYPE

M/N	DESCRIPTION
740A	2 POINT ALARM
740D	1 ADJ. DIFF.

316 S.S. TRIM,
416 S.S. ATTRACTOR

PROCESS CONNECTION

M/N ANSI SIZE	* ADD \$		
	STEEL	304 S.S.	316 S.S.
3" NPT *	N/C	425.	508.
3" 150R *	80.	437.	520.
3" 300R *	109.	508.	613.
4" 150R *	272.	582.	699.
4" 300R *	455.	710.	850.
4" 600R *	515.	C/F	C/F
4" 900R *	C/F	C/F	C/F

REPLACE "*" WITH "S" FOR STEEL,
"B" FOR 304 S.S.,
"Y" FOR 316 S.S.
(INCLUDES BODY & FLANGE)

CONSULT FACTORY FOR OTHER SIZES &
RATINGS 600, 900, & 1500 CLASS FLANGES
AVAILABLE; C/F

SENSING FLOAT

SENSING FLOAT				MINIMUM ANSI PROCESS CONN		WKG PSIG @ °F		
M/N	MAT	O.D.	LENGTH	NPT	FLANGED NOZZLE	100°F	450°F	750°F
T	316 S.S.	2.6	7.0	*3.0"	3" SCH 160	275	185	155
16	316 S.S.	2.5	BALL	*3.0"	3" SCH 160	860	560	470
D	316 S.S.	3.5	BALL	NA	4" SCH 120	500	330	275
C	316 S.S.	3.5	BALL	NA	4" SCH 120	950	620	525
W	316 S.S.	3.5	BALL	NA	4" SCH 120	1400	910	770
Y	316 S.S.	3.5	BALL	NA	4" SCH 120	1760	1150	970

* 2.5" NPT CONNECTION AVAILABLE ON A SPECIAL BASIS, C/F.

OPTIONS

OPTION M/N *	HOUSING EXTENSION LENGTH (IN)	MAX PROCESS TEMP (°F) - SWITCHES					
		CONDENSING SERVICE (STEAM, DOWTHERM)			NONCONDENSING (GAS, HYDROCARBONS)		
		D	S,L	H,T	D	S,L	H,T
AA	NONE	400	500	750	500	600	850
T1	6"	500	572	950	600	700	1100
T2	12"	600	650	1250	800	925	1500
SA	316 S.S. SHEATHED ATTRACTOR						
HH	120VAC ELECTRICAL HOUSING HEATER TO PREVENT CONDENSATION & ICING; INSULATE HOUSING FOR LOW AMBIENT CONDITION						

INSERTION DISTANCE

INCHES INSERTION	MINIMUM SPG						DIFF ADJ	
	T	16	D	C	W	Y	MIN	MAX
12"	0.50	0.70	0.60	0.50	0.40	0.40	2.0	5.0
24"	0.50	0.77	0.55	0.53	0.60	0.73	3.5	8.0
36"	0.55	NA	0.50	0.55	0.80	NA	5.5	12.0
48"	0.60	NA	0.55	0.60	NA	NA	7.5	16.0

SWITCH AND HOUSING

M/N FIRST CHARACTER	SWITCH TYPE - SERVICE AND LOAD RATINGS	Switch Temp Rating
S	GENERAL USE, COMPACT, 4 AMP @ 28VDC, 5 AMP @ 125VAC, 250VAC	-65 to 250°F (-54 to 121°C)
T	HIGH TEMPERATURE; 5 AMP @ 125VAC, 250VAC; 0.5A @ 125VDC;	-65 to 400°F (-54 to 204°C)
H	SEALED SWITCHES, 15 AMPS @ 125/250VAC, 0.5 AMPS @ 125 VDC, 0.25A @ 250VDC, 1/8HP 125VAC, 1/4HP 250VAC	-67 to 185°F (-55 to 85°C)
L	A.C. MOTOR LOADS; 15 AMP @ 125, 250, 480VAC, 0.25 HP @ 250VAC, 1/8HP @ 125VAC; 1/4HP @ 250VAC; 0.5A @ 125VDC; 0.25A @ 250VDC	-67 to 185°F (-55 to 85°C)
D	HIGH D.C. LOADS; 10 AMP @ 125VAC/DC; 0.25 HP @ 125VAC/DC; 3A(resistive) @ 250VDC; 1/2HP @ 125VDC POLARIZED (i.e., with negative side connected to common.)	-67 to 180°F (-55 to 82°C)
M/N SECOND CHARACTER	NUMBER OF CONTACTS	
1	1 SPDT CONTACT	
2	2 SPDT CONTACTS	
4	4 SPDT CONTACTS (TYPE S ONLY)	
M/N THIRD CHARACTER	HOUSING RATING	
W	Type 4X, IP65	
X	TYPE 4X, IP65 (EPOXY COATED)	
C	ALUMINUM - FOR HAZARDOUS LOCATIONS; SEE CSA RATINGS	
T	300 STAINLESS STEEL - FOR HAZARDOUS LOCATIONS; SEE CSA RATINGS	

CSA Ratings:
Housing types 'C' and 'T'
CI I Div 1, Gr B,C,D; CI II, Div 1 Gr E,F,G; CL III Div 1
Class I Zone 1, Ex/AEx d IIB+H₂
Maximum contact ratings 480Vac, 15A, T5 with max
ambient 80°C. T6 without heater with max ambient 60°C



DELTA CONTROLS CORPORATION

Engineered Sensors - For Difficult Services

585 Fortson Street
Shreveport, La. 71107 - USA
Ph: +1(318) 424-8471
Fax: +1(318) 425-2421
E-mail: sales@deltacnt.com
Web: www.claustemp.com