

4-20 mA SIGNAL ALARMS AND ON/OFF CONTROLLERS

PACKAGED AS A 3" DEM MODULE; STACKABLE WITH POWER SUPPLY AND DISPLAY

TS341

The Model 341 modules are configured in the 3" DEM package. They are stand-alone devices, which can be used as alarms or control devices. From 1 to 3 units can be mounted in a Delta housing to provide various switch-sequencing functions. They may be surface mounted in user's panels and cabinets. They may also be added to housings containing 4-20 mA transmitters; to provide pump control, alarm, etc. Note that the modules are not loop powered and require a 24 VDC power source. This can be provided by the user, or from an integrally mounted isolated power supply module (option "PS").

SPECIFICATIONS:

Relay:

Sealed SPDT, 5 amps @ 240 VAC or 30 VDC

Setup:

Setpoint, differential, reverse/direct, time delay, blind/display

Power:

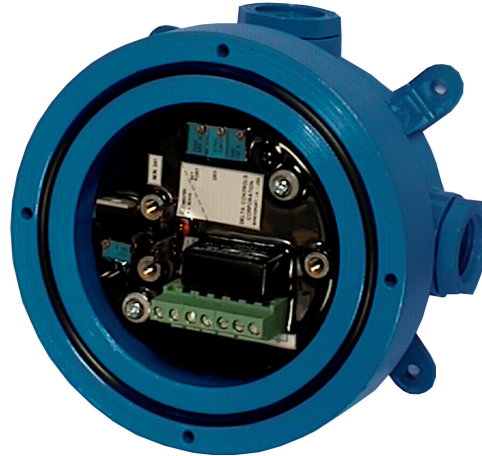
15-32 VDC, 1.5 volt amp

Package:

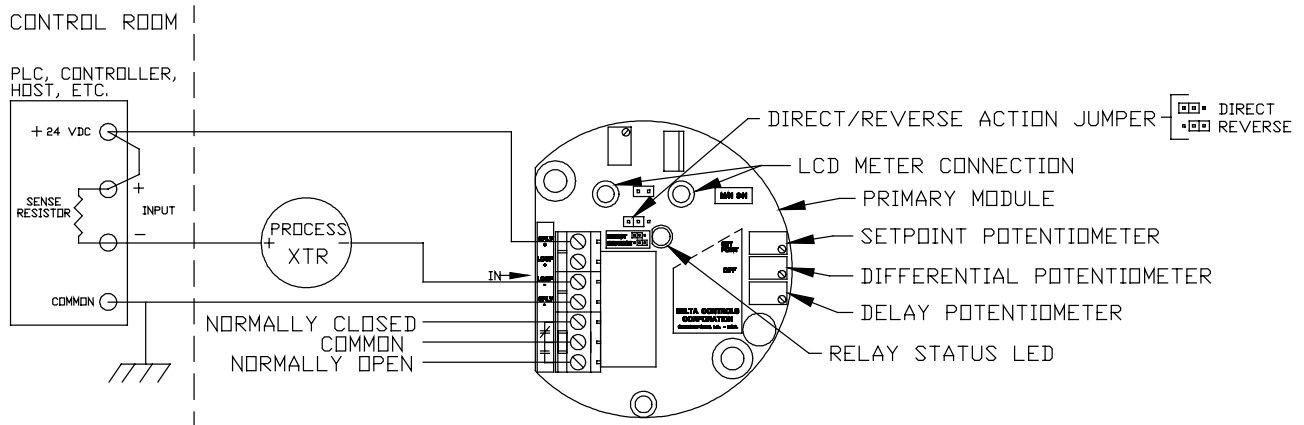
Sealed Relay, All potted in a 3" DEM Module cup

Option:

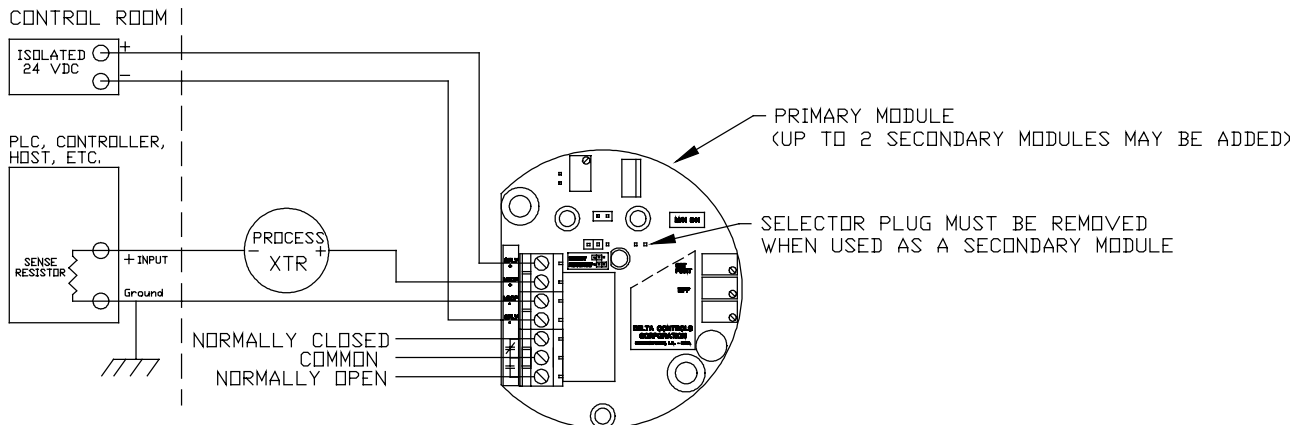
"PS" 24VDC , 150mA Power Supply



SHOWN IN A SURFACE MOUNT HOUSING 4X

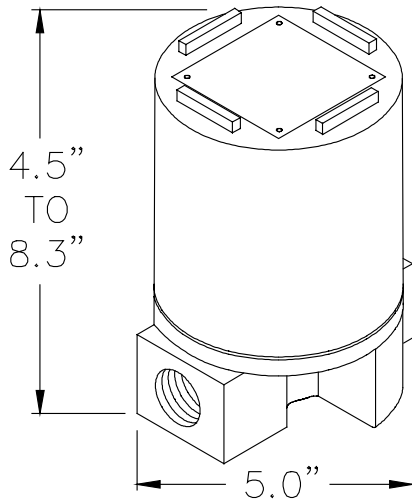


Typical Wiring to PLC or Other Readout Device with Differential Input



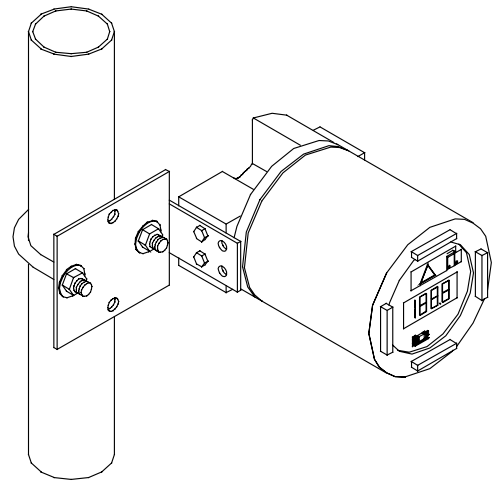
Typical Wiring for Readout Device with Grounded Input

DELTA CONTROLS Corporation



POINT ALARM FIELD HOUSING

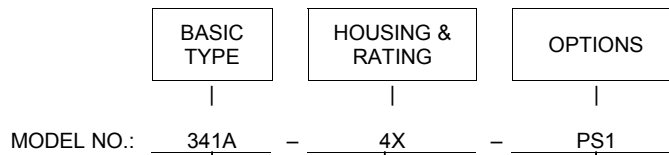
FROM 1 TO 3 ALARM POINTS, AND/OR POWER SUPPLIES MAY ALSO BE INCLUDED WITH MODELS 170,550,ETC, AS NECESSARY.
Listings: CSA NRTL/C (USA & Canada)



INDICATING ALARM FIELD HOUSING

2" PIPESTAND MOUNTING; SHOWN WITH "ID" DIRECT READING DIGITAL DISPLAY OPTION.

MODEL NUMBERING SYSTEM



**Made in the U.S.A
by Delta Controls**

| M/N | * RELAYS |
|---------------------------------------|--------------|
| 341A | ONE RELAY |
| 341B | TWO RELAYS |
| 341C | THREE RELAYS |
| *EACH RELAY INDEPENDENT OF THE OTHERS | |

| M/N | DESCRIPTION |
|-----|---|
| AA | NO HOUSING; MOUNTING IN USER'S CABINET, OR IN HOUSINGS WITH OTHER INSTRUMENTS SUCH AS MODELS 171K 172, 592, TMA, ETC. |
| 4X | HOSEPROOF, PVC |
| 7W | EXPROOF, NEMA 7, CLASS 1, DIVISION 1, GROUPS B, C, D; NEMA 9, CLASS 2, DIVISION 1, GROUPS E, F, G; ALSO HOSEPROOF, ALUMINUM |
| 7T | SAME, EXPROOF, EXCEPT 300 S.S. |

| M/N | DESCRIPTION |
|-----|--|
| AA | NONE |
| PS1 | INTEGRAL 120 VAC TO 24 VDC ISOLATED POWER SUPPLY, FOR UP TO 3 MODULES, INTEGRALLY MOUNTED IN HOUSING |
| PS2 | SAME EXCEPT 240 VAC |
| ID | LCD DISPLAY ADDED |
| PSM | REMOTE PIPESTAND OR SURFACE MOUNTING BRACKET |
| CT | FACTORY CALIBRATE FOR SPECIFIC SWITCH POINTS |

DELTA CONTROLS Corporation

Engineered Sensors For Difficult Services
585 FORTSON STREET
SHREVEPORT, LA. 71107 - USA
PHONE: 318-424-8471 FAX: 318-425-2421
E-mail: delta@deltacnt.com Web Site: <http://www.deltacnt.com>

