

IPT INSTALLATION DETAILS

Name: _____
 Phone: _____
 Email: _____

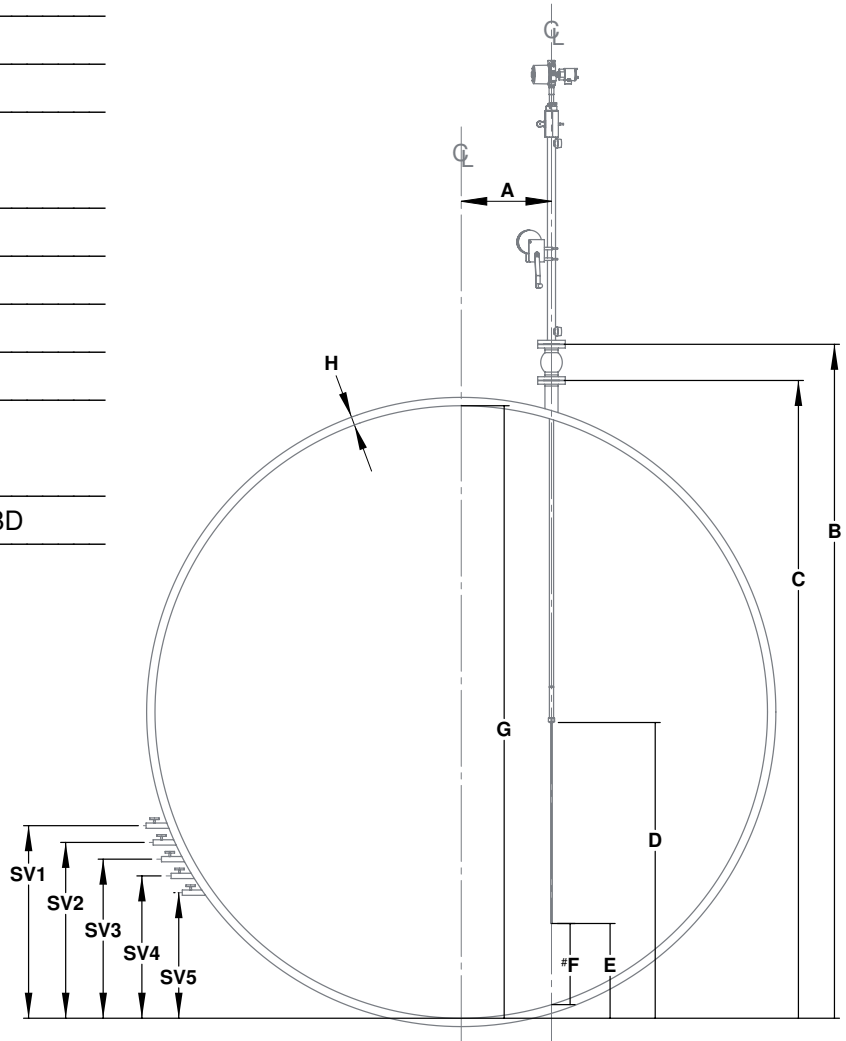
Account: _____
 Tag No.: _____
 Project No.: _____

Process Operating Temperature: _____
 Process Operating Pressure: _____
 Process Connection Size: _____
 Process Connection Class: _____

A) Nozzle Offset from Centerline*: _____
 B) Isolation Valve Height**†: _____
 C) Nozzle Projection Height**†: _____
 G) Vessel Inside Diameter**†: _____
 H) Shell Thickness*: _____

Valve Face to Face (B-C)†: _____
 Sensing Probe Length (D-E)†‡: TBD

SV 1§: _____
 SV 2†: _____
 SV 3†: _____
 SV 4†: _____
 SV 5†: _____
 SV 6†: _____
 SV 7†: _____
 SV 8†: _____
 SV 9†: _____
 Last SV†§: _____



*Required information

†From common datum line (bottom internal vessel face).

‡D refers to height from common datum line;

E refers to probe tip height from common datum line.

§Sample Valve (SV); first and last SV heights required.

#F refers to height from vessel wall to probe tip.