



**TYPE 626 INLINE OPEN BORE MECHANICAL FLOW SWITCH
INSTALLATION, OPERATING, AND MAINTENANCE MANUAL WITH
CONNECTION DIAGRAMS AND SPARE PARTS LIST**

TYPE NO: _____

APPLICATION NO: _____

SERIAL NO(S): _____

CUSTOMER: _____

CUSTOMER PURCHASE ORDER NO: _____

TAG NO(S): _____

OTHER: _____

RECOMMENDED SPARE PARTS _____

FIREWATER FLOW DETECTION SWITCH

Detects a Single Nozzle Discharge in 2" To 6" Line Sizes
Used in Offshore Seawater Deluge Systems

DESIGN FEATURES

- No Pressure Loss at High Flow Rates
- Full Open Bore – No Pipeline Restriction
- Proven Reliable for Over 15 Years
- Magnetic Flow Target to Switch Coupling
- Flow Powered – No Other Power Required
- Alloy Materials Suitable for Seawater
- Insensitive to Seawater Deposits



**MODEL 626 FOR A 4" SIZE
FIREWATER FLOW LINE**

OPERATING PRINCIPLE

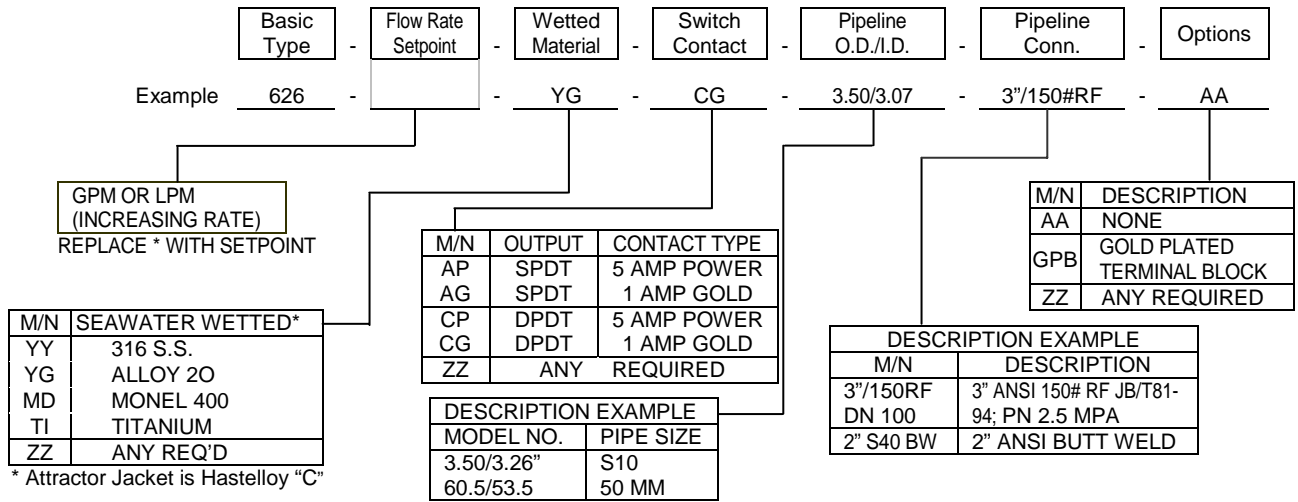
The Delta Controls Model 626 is a target actuated flow switch, it is equipped with a body that fits into and becomes part of the pipeline. It is used to detect very low flow rates in offshore deluge firewater piping systems.

The Model 626 is equipped with a "fitted" target that nearly fills the inside area of the in-line pipeline body under no flow conditions. The target is the "full swing" type. It rotates back 90° to rest against the inside of the pipeline when the flow rate exceeds the calibrated alarm activation flow rate.

The target has been "cupped" and "fitted" so that it fills the inside pipe area and is flush against the interior curve of the pipeline during higher flow rates. Only the thin edge of the target, plus its support block, is in the flow. The inside area of the pipeline is not restricted and the result is a full pipe size open bore. This design allows extremely high flow velocities without damage or pressure losses. Even so, the 626 can actuate at the very low flow rate, which occurs when a single nozzle has begun to operate.

The Delta Controls Model 626 has been used to detect seawater flow in deluge fire systems for over 15 years. It has been used on offshore oil platforms in the North Sea, the Gulf of Mexico, the Persian Gulf; as well as near Australia, Indonesia, and Russia. It has also seen service on drill ships and floating production facilities.

MODEL NUMBERING SYSTEM



BASIC SPECIFICATIONS

Actuation Flow Rate: Calibrated to within 10% closer optional

Output Switch: 1 or 2 Micro style

Switch Operating: -50 to +220°F (-45 to 105°C)

Switch Contact Configuration: SPDT or DPDT

Switch Contact Material & Rating:

Metal oxide; 5 amp at 240 VAC or 24 VDC

Gold; 1 amp at 24 VDC (for IS use)

Output Switch Failsafe Position: Spring loaded inside conduit connection housing

Terminals: Copper nickel-plated; clamp type;

wire up to 12 AWG (2.1MM)

Housing: 304 S.S., O-Ring sealed; 3 / 4" NPT or 20mm; Class 1, Division 1, Groups BCD & 4X, CSA, NRTL/C; IP67, CE

Body Gasket:: Metal spiral; PTFE seal

Studs and Bolts: A-193BB, A-194; stainless steel

Options: Any modification or change required by the service or installation

MINIMUM RECOMMENDED FLOW SWITCH RATE

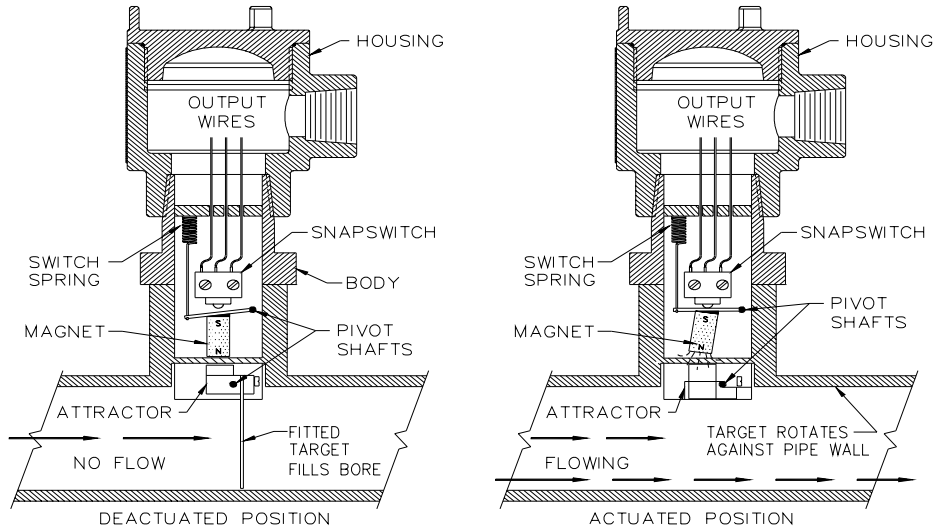
SWITCH ACTION * AT FLOW RATE	PIPE SIZE - SHOWN FOR ANSI SCHEDULE 40							
	2"		3"		4"		6"	
	GPM	LPM	GPM	LPM	GPM	LPM	GPM	LPM
ACTUATE	3.0	11.4	4.8	18.2	8.5	32.1	17.5	66.2
DEACTUATE	1.4	5.3	2.2	8.3	3.8	14.4	7.9	30.0

* (1) Switch Point is normally selected to detect that a single nozzle is discharging; but it can be calibrated for higher flow rates as required

(2) Based on seawater at STP; 77°(25°C) and 1 Bar

OPERATING SCHEMATIC

Connection of the target to the output switch is done magnetically. A heavy-duty solid sealing tube separates the seawater from the switch mechanism. Failures which can occur due to seal, diaphragm, and bellows leaks are eliminated.

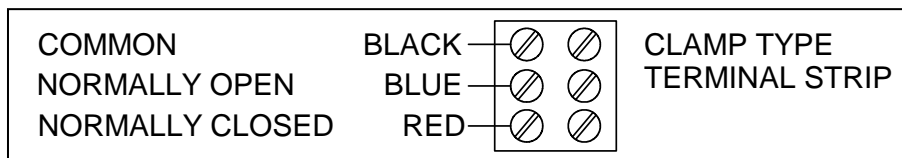


INSTALLATION

Install the Model 626 flow switch in a horizontal section of the flow line to be monitored. It is important that the vertical centerline of the body be plumb. It is necessary that the arrow on the body be parallel with and point in the direction of flow. The flow rate setpoint of the Model 626 is fixed at the factory and is not field adjustable.

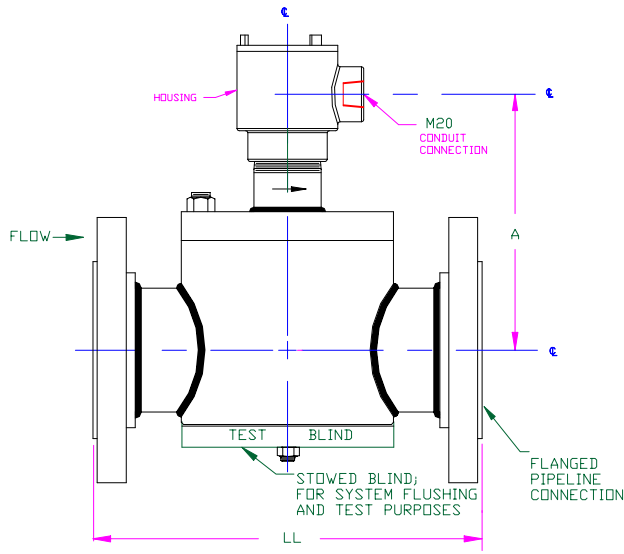
WIRING

Wire the unit in accordance with the National Electrical or other governing code. Do not miswire or overload the electrical contacts as this can destroy the unit or result in unsafe conditions.



NOTE: Units with DPDT output have two individual switches and dual sets of the same wire colors.

BASIC OUTLINE DIMENSIONS



PIPELINE (ANISI SHOWN)*	DIM	PIPELINE CONNECTION			
		150# RF		BUTTWELD	
SIZE		INCH	MM	INCH	MM
2"	"LL"	10.0	254	9.6	244
	"A"	7.0	152	6.0	152
3"	"LL"	12.0	305	11.6	245
	"A"	7.6	193	7.6	193
4"	"LL"	14.0	356	13.6	345
	"A"	8.8	224	8.8	224
6"	"LL"	17.0	432	16.6	422
	"A"	8.4	213	8.4	213

* METRIC PIPE AND OTHER SIZES ARE OPTIONAL

NOTES



DELTA

CONTROLS

CORPORATION

Engineered Sensors - For Difficult Services

585 Fortson Street
 Shreveport, La. 71107 - USA
 Ph: +1(318) 424-8471
 Fax: +1(318) 425-2421
 E-mail: sales@deltacnt.com
 Web: www.deltacnt.com