

# FLOW TOTALIZER MODEL 328FM LOOP-POWERED 4-20mA

TS 328FM

## FEATURES

- Versatile – Measures Water, Sewage, and Slurries
- Improved Personnel Safety for Hazardous Places such as Sewers, Pump Pits, Covered Lagoons, Etc.
- Easy Pushbutton Setup
- Suitable for Most Flumes, and Weirs;
- Intrinsically Safe Classification Improves Safety and Lowers Cost of Installation and Operation

## APPLICATION

The 328FM is a loop-powered flow totalizer used in conjunction with a level transmitter or flowrate transmitter to calculate total flow in an open channel.

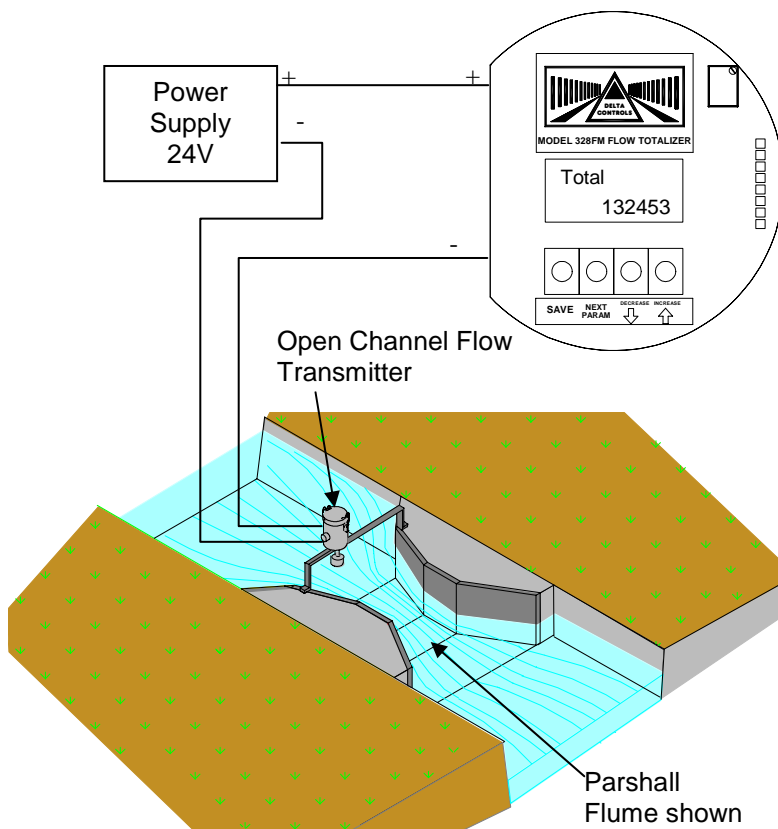
The unit receives a 4-20 mA signal that is either proportional to the liquid level in the channel, or that is proportional to the flow rate in the channel. The unit calculates the flow from the input signal and displays the total flow in user selectable units of measure.



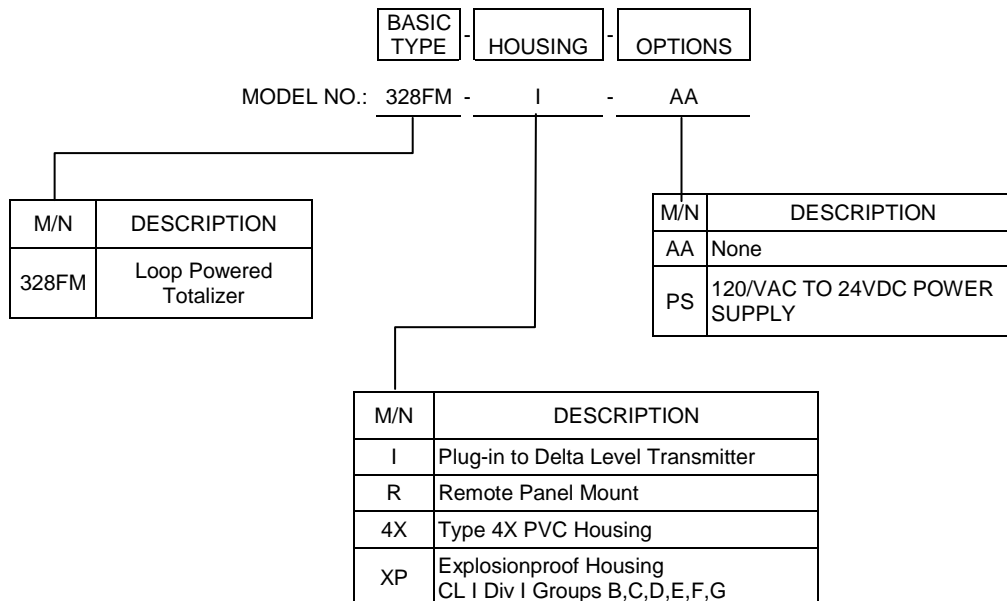
Model 328FM in type 4X housing

## BASIC SPECIFICATIONS

Input Voltage Drop (Max)	4-20mADC isolated 7 volts.
Flow Elements Supported	Parshall Flume, Rectangular Weir, Trapezoidal Weir, Cipolletti Weir, V-notch Weir, Palmer-Bowlus Flume, and others.
Linearization Curve	$(K_p - K_h * H)^{K_e}$
Accuracy	Better than 0.125%FS
Indication	Flow rate, Total flow, Input Current
Calibration Entry	4 pushbutton entry switches
Memory Protection	Non-volatile
Wiring Connections	#6 Terminal posts, Banana plug
Intrinsically Safe With I.S. Barrier,	Class I, Divisions 1 and 2, Groups ABCD; Class II, Groups EFG;
Entity Parameters (Intrinsically Safe)	Vmax 37 Volts I <sub>max</sub> 200mA C <sub>i</sub> 0.05μF L <sub>i</sub> 0μH
Ambient Temp Range	-10 °F to 150 °F (Basic unit)
Maintenance	Scheduled periodic maintenance is not normally required
Approvals	CSA (USA and Canada); ISO 9001 Quality System

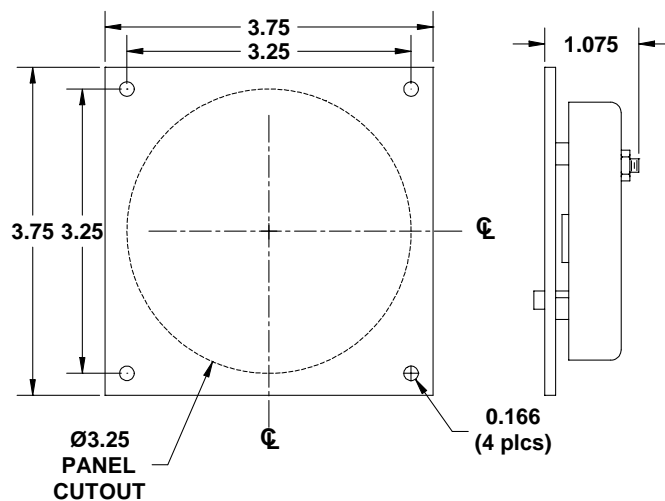


## MODEL NUMBERING SYSTEM



### Flexible Mounting Configurations

The 328FM is designed to be plugged directly into Delta Controls Pressure transmitters and RF Admittance Level transmitters. It can also be mounted in a stand-alone environmental housing or panel-mounted in the user's instrument panel.



### Simple User Interface

The Model 328FM has a built-in display and keypad. 4 pushbuttons allow simple setup of calibration parameters.



585 Fortson Street  
Shreveport, La. 71107 - USA  
Ph: +1(318) 424-8471  
Fax: +1(318) 425-2421  
E-mail: sales@deltacnt.com  
Web: www.deltacnt.com